

# ELA/ELL-SERIES

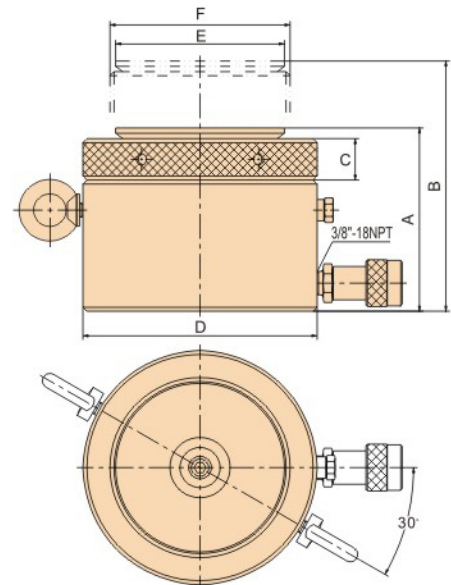


ELL-602, ELL-1002

## ELL-SERIES PANCAKE LOCKNUT CYLINDERS

### Features

- ◆ Extremely low height for use in confined spaces.
- ◆ Safety lock nut for mechanical load holding.
- ◆ Tilting saddle.
- ◆ Complies with ASME B30.1. High strength steel for durability and increased safety.
- ◆ Overflow port functions as a stroke limiter.
- ◆ High flow EAB-201 quick coupler.
- ◆ Environmentally friendly painting process provides a durable corrosion resistant finish.



Cylinder Capacity @ 700 Bar (10,000 PSI)	Stroke	Model	Cylinder Effective Area	Oil Capacity	Collapsed Height	Extended Height	Lock Nut height	Outside Diameter	Saddle diam.	Piston Rod Diameter	Weight
					A	B					
Metric Ton ( US Ton)	in		in <sup>2</sup>	in <sup>3</sup>	in	in	in	in	in	mm	lbs
60 ( 66 )	1.97	ELL-602	13.42	26.41	6.88	6.88	1.10	5.50	3.77	Tr 104 × 4	31.9
100 ( 110 )	1.97	ELL-1002	22.18	43.65	7.35	7.35	1.22	6.88	4.95	Tr 134.5 × 6	51.7
160 ( 176 )	1.77	ELL-1602	35.19	62.31	7.58	7.58	1.57	8.61	6.29	Tr 170 × 6	91.3
200 ( 220 )	1.77	ELL-2002	43.94	77.82	7.86	7.86	1.69	9.63	7.07	Tr 190 × 6	125.4
250 ( 275 )	1.77	ELL-2502	56.28	99.67	8.02	8.02	1.73	10.81	7.86	Tr 215 × 6	162.8
400 ( 440 )	1.77	ELL-4002	85.48	151.39	8.76	8.76	2.16	13.76	9.83	Tr 265 × 6	294.8
520 ( 572 )	1.77	ELL-5002	113.24	200.55	9.31	9.31	2.44	15.72	11.4	Tr 305 × 6	415.8