

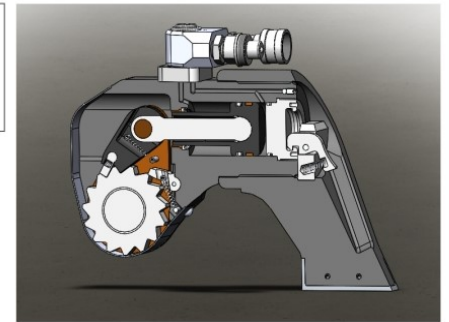
ESW SQUARE DRIVE TORQUE WRENCHES

EAGLE PRO®

The ESW series torque wrenches were designed with accuracy, reliability, and ease of use in mind. A fully positionable, 360° rotating reaction arm allows you to put the torque wrench head where you need it. The multi-port swiveling inlet keeps the hydraulic hoses out of your way while you work. Quick release square drive allows you to switch from tightening and loosening operations without any special tools. Compact, light-weight, high strength Aluminum alloy construction makes these wrenches a breeze to carry to the job site. Designed using 3D CAD modeling software, the ESW torque wrenches will provide consistent torque within +/- 3%.



Fast and efficient operation. 35° rotation angle and fast return stroke

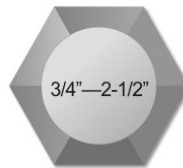


Quick release square drive made from high strength, heat treated steel



Be sure to select the correct torque wrench for your application. Loosening torque requires approximately 250% more than tightening torque

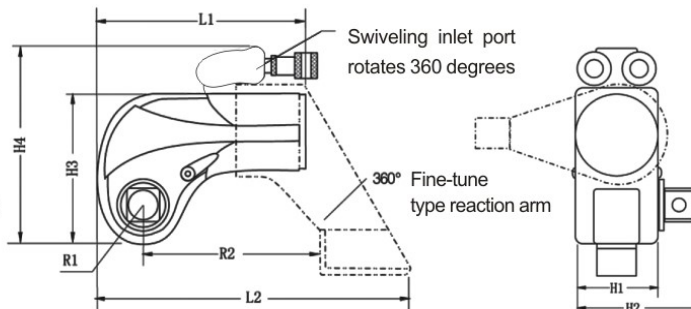
Square Drive Range



Socket Range



Max. Torque @ 10,000 PSI



MODEL	SQUARE DRIVE	TORQUE RANGE @ 10,000 PSI		RECOMMENDED BOLT/NUT RANGE		Weight	L1	L2	H1	H2	H3	H4	R1	R2
		IN	FT LBS	NM	IN									
ESW-1	3/4	139-1395	189 - 1897	1/2 - 1-3/8	16-36	4.4	5.12	7.17	1.97	2.83	3.9	5.67	1.02	3.9
ESW-3	1	331-3317	450 - 4510	7/8 - 1-7/8	22-48	8.8	6.54	9.49	2.68	3.74	5.12	6.93	1.34	5.28
ESW-5	1-1/2	542-5420	737 - 7368	1-1/8 - 2-1/4	27-56	15.4	7.8	11.06	3.15	4.84	6.1	7.8	1.54	5.98
ESW-8	1-1/2	792-7932	1078 - 10,784	1-1/4 - 2-3/8	30-64	20.02	8.39	12.13	3.54	5.12	6.73	8.5	1.85	6.73
ESW-10	1-1/2	1140-11403	1550 - 15,503	1-3/8 - 3	36-72	28.82	9.09	13.23	3.94	5.55	7.36	9.06	2.01	6.85
ESW-20	2-1/2	1961-19609	2666 - 26,658	1-5/8 - 3-1/2	42-90	55	11.61	17.44	4.72	7.17	8.98	10.55	2.32	9.84