

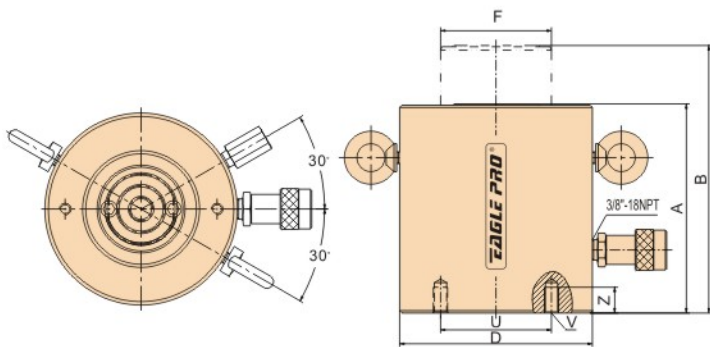


Shown from left to right:
ESX-506, ESX-2002, ESX-1008

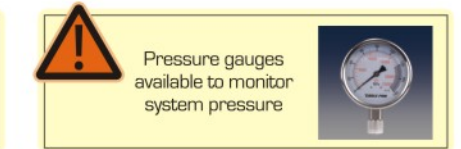
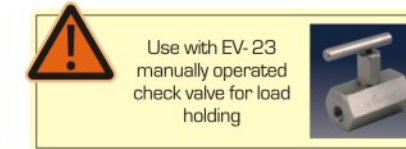
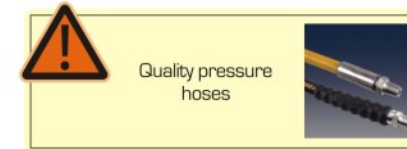
ESX-SERIES SINGLE ACTING, HIGH TONNAGE CYLINDERS

Features

- ◆ Complies with ASME B30.1 standards. High grade steel cylinder is heat treated for additional strength.
- ◆ Threaded base easier to install.
- ◆ Threaded hole & rigging easier to carry.
- ◆ High flow EAB-201 quick coupler.
- ◆ Environmentally friendly painting process provides a durable corrosion resistant finish.
- ◆ Single Acting, load Return.
- ◆ Tilt saddle available.



Cylinder Capacity @ 700 Bar (10,000 PSI)	Stroke	Model	Cylinder Effective Area
Metric Ton (US Ton)	in		in ²
50 (55)	1.97	ESX-502	11.69
	3.94	ESX-504	11.69
	5.91	ESX-506	11.69
	7.87	ESX-508	11.69
	9.84	ESX-5010	11.69
	11.81	ESX-5012	11.69
100 (105)	1.97	ESX-1002	20.57
	3.94	ESX-1004	20.57
	5.91	ESX-1006	20.57
	7.87	ESX-1008	20.57
	9.84	ESX-10010	20.57
	11.81	ESX-10012	20.57
150 (154)	1.97	ESX-1502	31.16
	3.94	ESX-1504	31.16
	5.91	ESX-1506	31.16
	7.87	ESX-1508	31.16
	9.84	ESX-15010	31.16
	11.81	ESX-15012	31.16
200 (220)	1.97	ESX-2002	41.66
	5.91	ESX-2006	41.66
	11.81	ESX-20012	41.66
250 (275)	1.97	ESX-2502	56.28
	5.91	ESX-2506	56.28
	11.81	ESX-25012	56.28
300 (330)	1.97	ESX-3002	70.12
	5.91	ESX-3006	70.12
	11.81	ESX-30012	70.12
400 (440)	1.97	ESX-4002	85.48
	5.91	ESX-4006	85.48
	11.81	ESX-40012	85.48
500 (550)	1.97	ESX-5002	113.24
	5.91	ESX-5006	113.24
	11.81	ESX-50012	113.24
600 (660)	1.97	ESX-6002	132.57
	5.91	ESX-6006	132.57
	11.81	ESX-60012	132.57
800 (880)	1.97	ESX-8002	180.45
	5.91	ESX-8006	180.45
	11.81	ESX-80012	180.45
1000 (1100)	1.97	ESX-10002	225.14
	5.91	ESX-10006	225.14
	11.81	ESX-100012	225.14



Oil Capacity	Collapsed Height	Extended Height	Outside Diam.	Plunger Diam.	Base Fix Holes			Weight	Model	Optional Tilt Saddle*
					Bolt Circle	Thread	Depth			
in ³	in	in	in	in	U	V	Z	lbs		Saddle Model
23.00	6.38	8.35	5.08	2.76	2.56	M12	0.87	35.2	ESX-502	STX-50
45.99	8.35	12.28	5.08	2.76	2.56	M12	0.87	41.8	ESX-504	STX-50
68.99	10.31	16.22	5.08	2.76	2.56	M12	0.87	50.6	ESX-506	STX-50
91.99	12.28	20.16	5.08	2.76	2.56	M12	0.87	57.2	ESX-508	STX-50
114.99	14.25	24.09	5.08	2.76	2.56	M12	0.87	66	ESX-5010	STX-50
137.98	16.22	28.03	5.08	2.76	2.56	M12	0.87	74.8	ESX-5012	STX-50
40.47	7.05	9.02	6.50	3.74	3.74	M12	0.87	61.6	ESX-1002	STX-100
80.95	9.02	12.95	6.50	3.74	3.74	M12	0.87	74.8	ESX-1004	STX-100
121.42	10.98	16.89	6.50	3.74	3.74	M12	0.87	88	ESX-1006	STX-100
161.89	12.95	20.83	6.50	3.74	3.74	M12	0.87	101.2	ESX-1008	STX-100
202.37	14.92	24.76	6.50	3.74	3.74	M12	0.87	114.4	ESX-10010	STX-100
242.84	16.89	28.70	6.50	3.74	3.74	M12	0.87	127.6	ESX-10012	STX-100
61.31	7.72	9.69	8.11	4.53	5.12	M12	0.87	105.6	ESX-1502	STX-150
122.61	9.69	13.62	8.11	4.53	5.12	M12	0.87	125.4	ESX-1504	STX-150
183.92	11.65	17.56	8.11	4.53	5.12	M12	0.87	145.2	ESX-1506	STX-150
245.22	13.62	21.50	8.11	4.53	5.12	M12	0.87	165	ESX-1508	STX-150
306.53	15.59	25.43	8.11	4.53	5.12	M12	0.87	187	ESX-15010	STX-150
367.83	17.56	29.37	8.11	4.53	5.12	M12	0.87	206.8	ESX-15012	STX-150
81.98	8.35	10.31	9.29	5.31	6.50	M12	0.87	149.6	ESX-2002	STX-200
245.95	12.28	18.19	9.29	5.31	6.50	M12	0.87	204.6	ESX-2006	STX-200
491.90	18.19	30.00	9.29	5.31	6.50	M12	0.87	283.8	ESX-20012	STX-200
110.75	9.25	11.22	10.83	6.50	7.48	M12	0.98	228.8	ESX-2502	STX-250
332.24	13.19	19.09	10.83	6.50	7.48	M12	0.98	305.8	ESX-2506	STX-250
664.47	19.09	30.91	10.83	6.50	7.48	M12	0.98	422.4	ESX-25012	STX-250
137.98	12.28	14.25	12.20	7.68	7.09	M16	1.18	389.4	ESX-3002	STX-300
413.95	16.22	22.13	12.20	7.68	7.09	M16	1.18	490.6	ESX-3006	STX-300
827.89	22.13	33.94	12.20	7.68	7.09	M16	1.18	644.6	ESX-30012	STX-300
168.21	14.72	16.69	13.78	8.46	8.07	M16	1.18	594	ESX-4002	STX-400
504.62	18.66	24.57	13.78	8.46	8.07	M16	1.18	726	ESX-4006	STX-400
1009.25	24.57	36.38	13.78	8.46	8.07	M16	1.18	926.2	ESX-40012	STX-400
222.83	16.50	18.46	15.75	9.84	9.84	M24	1.42	882.2	ESX-5002	STX-500
668.50	20.43	26.34	15.75	9.84	9.84	M24	1.42	1056	ESX-5006	STX-500
1337.00	26.34	38.15	15.75	9.84	9.84	M24	1.42	1317.8	ESX-50012	STX-500
260.87	16.89	18.86	16.93	10.43	10.83	M24	1.42	1042.8	ESX-6002	STX-600
782.60	20.83	26.73	16.93	10.43	10.83	M24	1.42	1243	ESX-6006	STX-600
1565.20	26.73	38.54	16.93	10.43	10.83	M24	1.42	1542.2	ESX-60012	STX-600
355.08	19.06	21.02	19.88	12.60	12.99	M24	1.42	1630.2	ESX-8002	STX-800
1065.24	22.99	28.90	19.88	12.60	12.99	M24	1.42	1909.6	ESX-8006	STX-800
2130.49	28.90	40.71	19.88	12.60	12.99	M24	1.42	2327.6	ESX-80012	STX-800
443.01	22.20	24.17	22.05	13.58	14.76	M24	1.42	2336.4	ESX-10002	STX-1000
1329.04	26.14	32.05	22.05	13.58	14.76	M24	1.42	2668.6	ESX-10006	STX-1000
2658.08	32.05	43.86	22.05	13.58	14.76	M24	1.42	3165.8	ESX-100012	STX-1000

*Note: for more information please see the page 56